



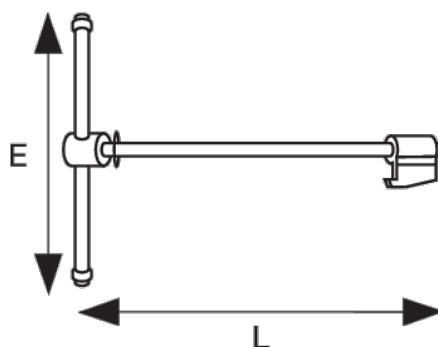
202821

Spindle & Nut for Round Guide
Bench Vice 201241



PRODUCT DETAILS

- Spare spindle and nut for round guide vice 201



PRODUCT ATTRIBUTES

Product		E	L	
202821	100 mm	240 mm	317 mm	1400 g