



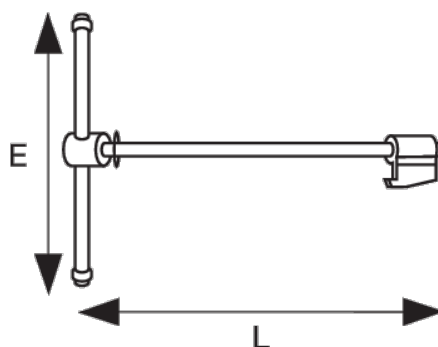
202841

Spindle & Nut for Round Guide  
Bench Vice 201261



### PRODUCT DETAILS

- Spare spindle and nut for round guide vice 201



### PRODUCT ATTRIBUTES

Product		<b>E</b>	<b>L</b>	
202841	150 mm	310 mm	428 mm	3400 g