



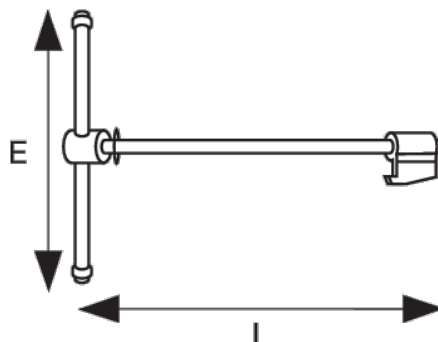
206831

Spindle & Nut for Square Guide
Bench Vices 207051/216051



PRODUCT DETAILS

- Spare spindle and nut for square guide vice 207041/207071 and 216



PRODUCT ATTRIBUTES

Product		E	L	
206831	125 mm	275 mm	352 mm	1400 g