



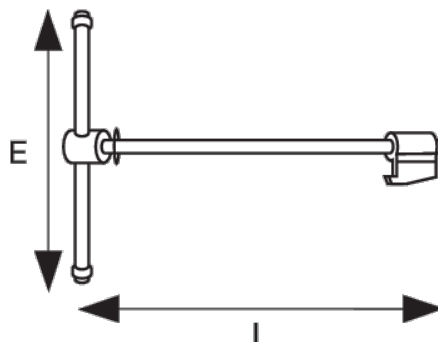
206851

Spindle & Nut for Square Guide  
Bench Vices 207071/216071




### PRODUCT DETAILS

- Spare spindle and nut for square guide vice 207041/207071 and 216



### PRODUCT ATTRIBUTES

Product		<b>E</b>	<b>L</b>	
206851	175 mm	340 mm	471 mm	3200 g