



531-08-2

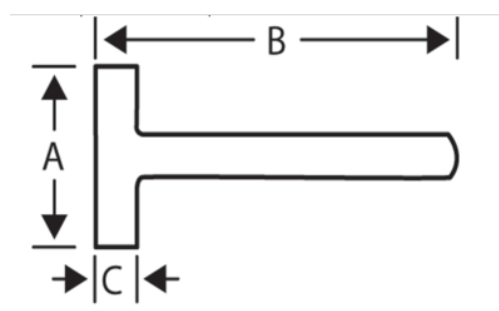
Stoning Hammer Wooden Handle

1500 g

PRODUCT DETAILS

- Stoning club hammer
- Handle fitted to club hammer head with round metal wedge

- With genuine hickory handle
- Industrial packaging



PRODUCT ATTRIBUTES

Product		A	B	L	
531-08-2	1500 g	45 mm	110 mm	280 mm	1675 g