



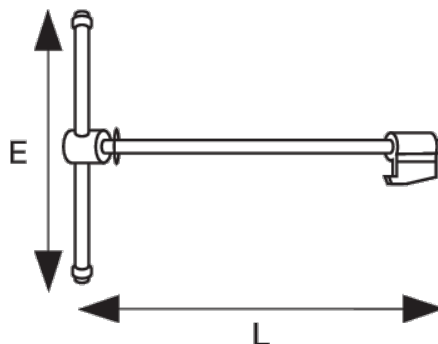
206821-206851

### Spare Spindle & Nut for Square Bench Vice

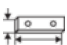



#### PRODUCT DETAILS

- Spare spindle and nut for square guide vice 207041/207071 and 216



#### PRODUCT ATTRIBUTES

Product		<b>E</b>	<b>L</b>	 <b>g</b>
<b>206821</b>	100 mm	240 mm	287 mm	600 g
<b>206831</b>	125 mm	275 mm	352 mm	1400 g
<b>206841</b>	150 mm	310 mm	432 mm	2200 g
<b>206851</b>	175 mm	340 mm	471 mm	3200 g