



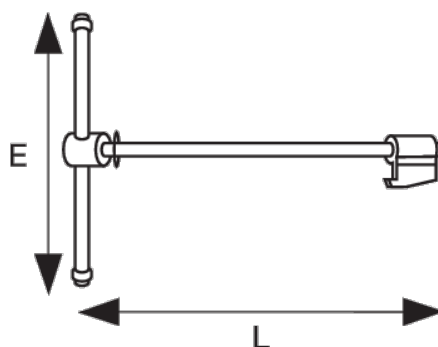
202811-202841

Spare Spindle and Nut for Round Bench Vice

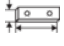



PRODUCT DETAILS

- Spare spindle and nut for round guide vice 201



PRODUCT ATTRIBUTES

Product		E	L	 g
202811	80 mm	200 mm	251 mm	875 g
202821	100 mm	240 mm	317 mm	1400 g
202831	125 mm	275 mm	364 mm	2200 g
202841	150 mm	310 mm	428 mm	3400 g