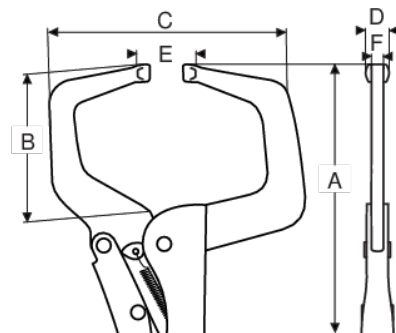





64C-300
C-Shape Locking Pliers

PRODUCT DETAILS

- C shape locking pliers
- Oversized opening for holding large parts
- Small jaw tips for accurate gripping
- Chrome molybdenum steel
- Nickel plated



PRODUCT ATTRIBUTES

| Product | A | B | C | D | E | F |  |
|------------------|----------|----------|----------|----------|----------|----------|---|
| 64C-300-1 | 275 mm | 90 mm | 140 mm | 14 mm | 0-65 mm | 7 mm | 775 g |